

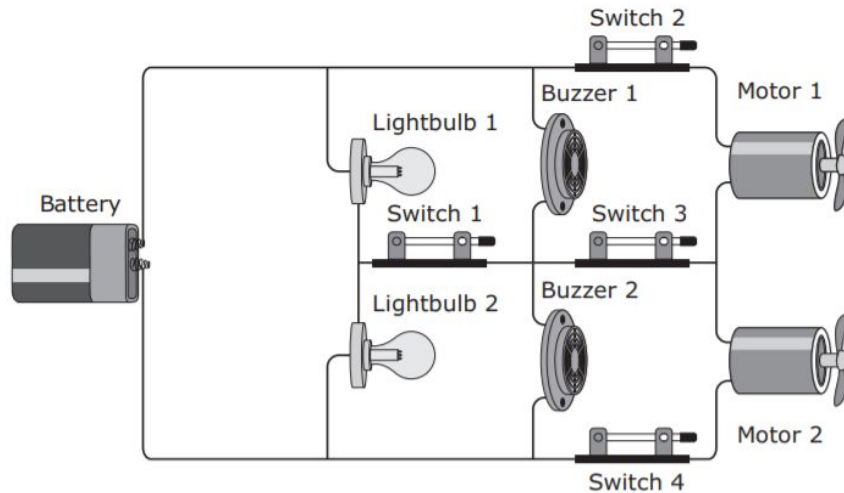


## Science 1 Diagnostic Test

Want to know which class fits best for you? Take this diagnostic test! If you find this too easy, go right along to the Science 2 diagnostic test. If you find this a little challenging, then sign on up!

- 1.) Which of the following explains how water undergoes a change of state in one stage of the water cycle in order to move from the ocean's surface into the air?
  - F Liquid water that is heated by the sun becomes a gas and rises.
  - G Gaseous water rises as it is cooled by the ocean.
  - H Liquid water that is heated by the sun condenses into rain.
  - J Gaseous water collects in drops of fog above the ocean's surface.
  
- 2.) Which statement correctly describes how a landform is formed?
  - F A lake is formed when flowing water carves out the sides of a canyon.
  - G A mountain range is formed when glaciers slowly move across the landscape.
  - H A delta is formed at the mouth of a river when flowing water slows and deposits sediment.
  - J A U-shaped valley is formed when winds pick up and move sediment away from the landscape.
  
- 3.) The moon, the sun, and Earth have different physical characteristics. Which of these best describes a physical characteristic of the sun?
  - F It is solid and has many layers.
  - G It rotates on its axis every 24 hours.
  - H It is mostly made of hydrogen and helium.
  - J It is smaller and has less gravity than Earth or the moon.
  
- 4.) Which change occurs when lemon juice is mixed with water?
  - F The mass of the lemon juice decreases.
  - G The water becomes solid.
  - H The lemon juice dissolves and spreads out evenly in the water.
  - J The volume of the water decreases.

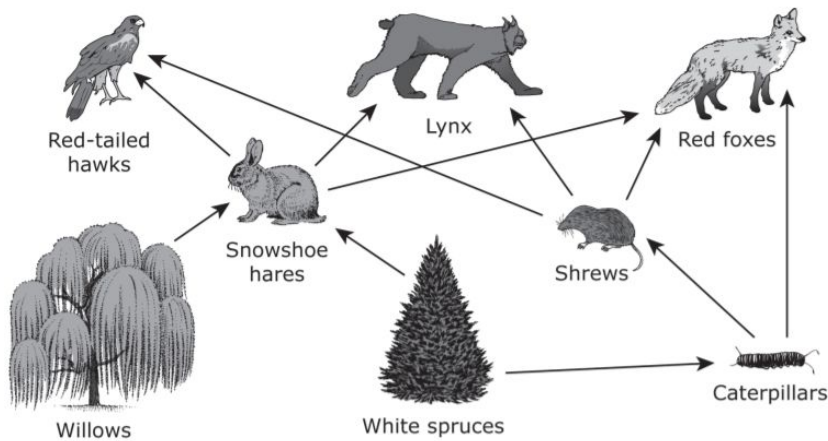
- 5.) A student builds a circuit allowing the lightbulbs to light, the buzzers to make sound, and the motors to turn.



Which two switches can be open and still allow all of the parts to work?

- F Switches 1 and 3
- G Switches 1 and 4
- H Switches 2 and 3
- J Switches 3 and 4

- 6.) A partial forest food web is shown. Which list contains only animals that receive energy transferred directly from consumers in this food web?



- F Red-tailed hawks, snowshoe hares, and caterpillars
- G Snowshoe hares and caterpillars
- H Snowshoe hares and shrews
- J Shrews and red foxes